

# **Installation Instructions**

**60cm EI Electric Induction Models**

## **Table Of Contents**

<b>INSTALLATION INSTRUCTIONS .....</b>	<b>1</b>
<b>BEFORE INSTALLATION .....</b>	<b>3</b>
<b>DIMENSIONS &amp; CLEARANCES .....</b>	<b>5</b>
<b>CONNECTING TO THE ELECTRICITY SUPPLY TERMINAL BLOCK .....</b>	<b>7</b>
<b>COMMISSIONING .....</b>	<b>9</b>
<b>TECHNICAL DATA .....</b>	<b>10</b>
<b>ENERGY DATA TABLE .....</b>	<b>12</b>
<b>ENERGY DATA TABLE .....</b>	<b>14</b>

# INSTALLATION INSTRUCTIONS



## **WARNING**

Ensure that the appliance is switched off before replacing the lamp to avoid the possibility of electric shock.



## **WARNING**

Danger of fire: do not store items on the cooking surfaces.



## **WARNING**

Servicing should be carried out only by authorised personnel.



## **WARNING**

**FAILURE TO INSTALL APPLIANCES CORRECTLY IS DANGEROUS AND COULD LEAD TO PROSECUTION.**



## **WARNING**

Do not modify this appliance.



## **WARNING**

This appliance must be earthed.



## **CAUTION**

Make sure that you have removed all packaging and wrapping. Some of the items inside this appliance may have additional wrapping. It is advised that you turn the ovens and/or grill on for a short while. This will burn off any residues left from manufacturing. There may be a smell which accompanies this process- but this is nothing to worry about and is harmless. It is recommended that you wash the oven shelves, baking tray, grill pan and grill pan trivet before their first use in hot soapy water. This will remove the protective oil coating.

**CAUTION**

We recommend that the appliance is connected by a competent person who is a member of a 'Competent Person Scheme' who will comply with the required regulations.

**CAUTION**

Although every care has been taken to ensure this appliance has no sharp edges, we recommend that you wear protective gloves when installing and moving this appliance. This will prevent injury.

**CAUTION**

Ensure that you route all main cables well clear of any adjacent heat source.

**CAUTION**

Our policy is one of constant development and improvement, therefore we cannot guarantee the strict accuracy of all our illustrations and specifications. Changes may have been made subsequent to publishing.

**CAUTION**

Connection should be made with a suitable flexible cable able to withstand a temperature of at least 70°C.

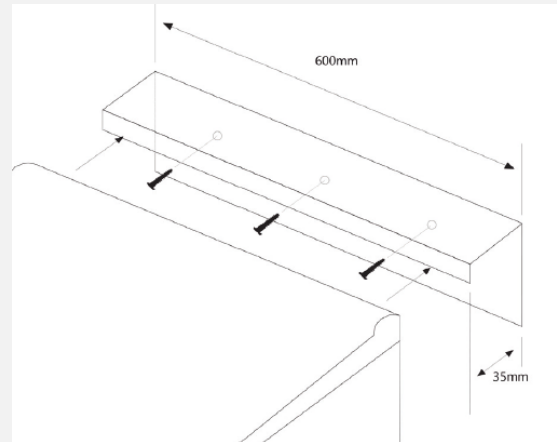
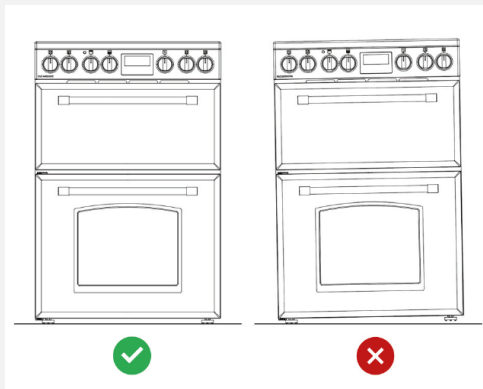
**CAUTION**

The space for air circulation, located underneath and at the back of the hob improves reliability by ensuring that it will cool down, efficiently.

# BEFORE INSTALLATION

## LEVELLING YOUR COOKER

1. Place a spirit level on a baking sheet onto an oven shelf.
2. The cooker is fitted with levelling feet (see below diagram). Level your cooker to your desired height using the levelling feet at the front and rear of the cooker.



### NOTE

The 35mm clearance dimension should not be reduced.

## PRODUCTS WITH A CAST LID (APPLICABLE TO STOVES RICHMOND 60CM MODELS ONLY)

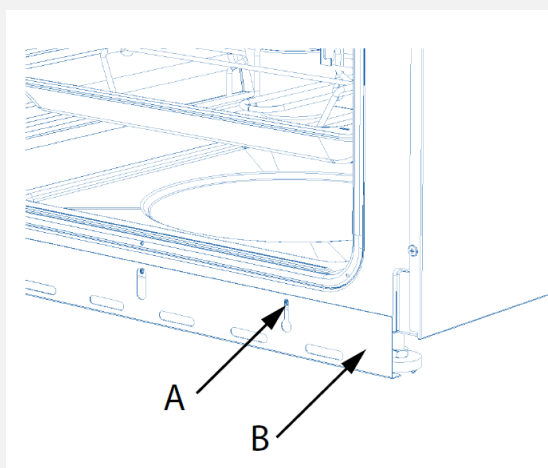
A 35mm clearance is required from the back of the hotplate to the rear wall, to allow the lid to be opened fully.

To ensure this clearance is maintained, the infill piece (supplied) should be fitted using the instructions below.

Fix the infill piece to the wall- using suitable screws and wall fixings (not supplied) and ensure it is level with the hotplate as shown.

## **FITTING THE DECORATIVE COVER PLINTH (IF REQUIRED)**

If the levelling feet have been adjusted so that the cooker has been raised higher and the feet are visible, the decorative cover plinth can be attached to help conceal the feet as follows:



**1. Release the screws (A) by a couple of turns using a hand screwdriver. Do not remove the screws completely.**

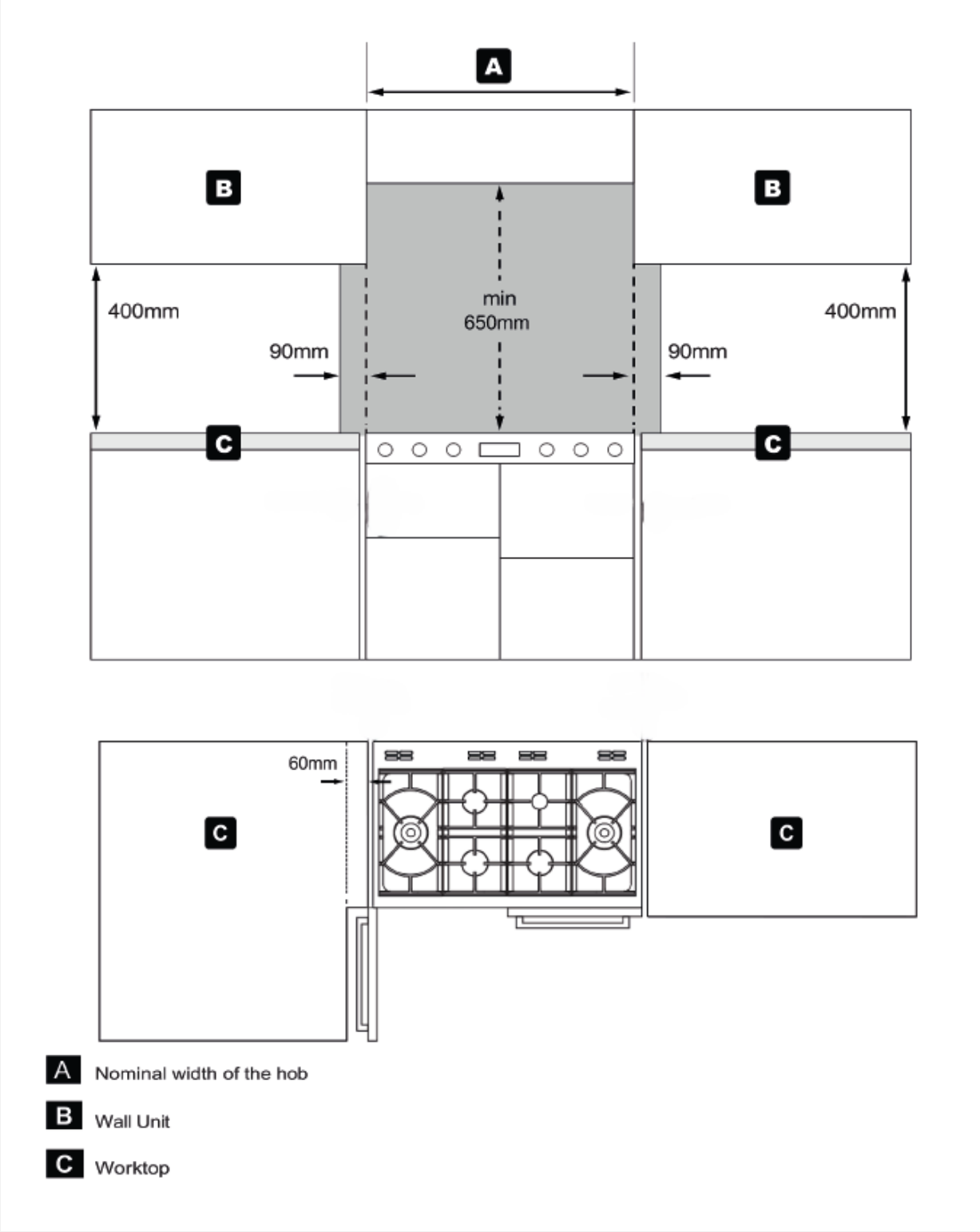
**2. Align the keyway slots in the cover plinth (B) with the screws (A) and hang the cover plinth on the screws.**

**3. Adjust the cover plinth to the required height.**

**4. Tighten the screws hand-tight to hold the cover plinth in position. Do not use power tools.**

# DIMENSIONS & CLEARANCES

## CUPBOARD/HOOD CLEARANCES



## CUPBOARD/ HOOD CLEARANCES



### **WARNING**

No shelf or overhang of combustible material should be closer than 650mm above the hob.

- If your appliance has a side opening door, we recommend a side clearance of 60mm to allow the oven door to fully open, if placed up to a wall or cabinetry.
- The cooker must have a side clearance above the hob level of 90mm up to a height of 400mm.
- The cooker must be fitted flush to the base units of your kitchen.



# CONNECTING TO THE ELECTRICITY SUPPLY TERMINAL BLOCK



## **WARNING**

This appliance must be earthed.

This appliance must be connected by a competent person, who is a member of a recognised 'Competent Persons Scheme' and who will comply with all EU and local regulations.

The maximum power rating is detailed in the technical data tables towards the back of this manual and on the rating label placed on the back of the appliance.

For all types of connection (three-phase or single-phase), leave in place the connecting bars situated on the neutral connecting terminals.

Then, fit the neutral and earth power cables to the corresponding connecting terminals. Firmly tighten the screws, but without forcing too much.

**Single-phase:** Concerning a single-phase connection, place both brass connecting bars between L1 + L2 + L3. Then, link the mains supply's phase live wire to the L2 connecting terminal.

Finally, tighten all the connecting terminals' screws without forcing too much (see diagram).

**Multi-phase:** Concerning a three-phase connection, remove the brass connecting bars from the live terminals and connect respectively the 3 cables of the 3 phases to each of the corresponding terminals: L1 to L3.

Leave in place the neutral connecting bars.

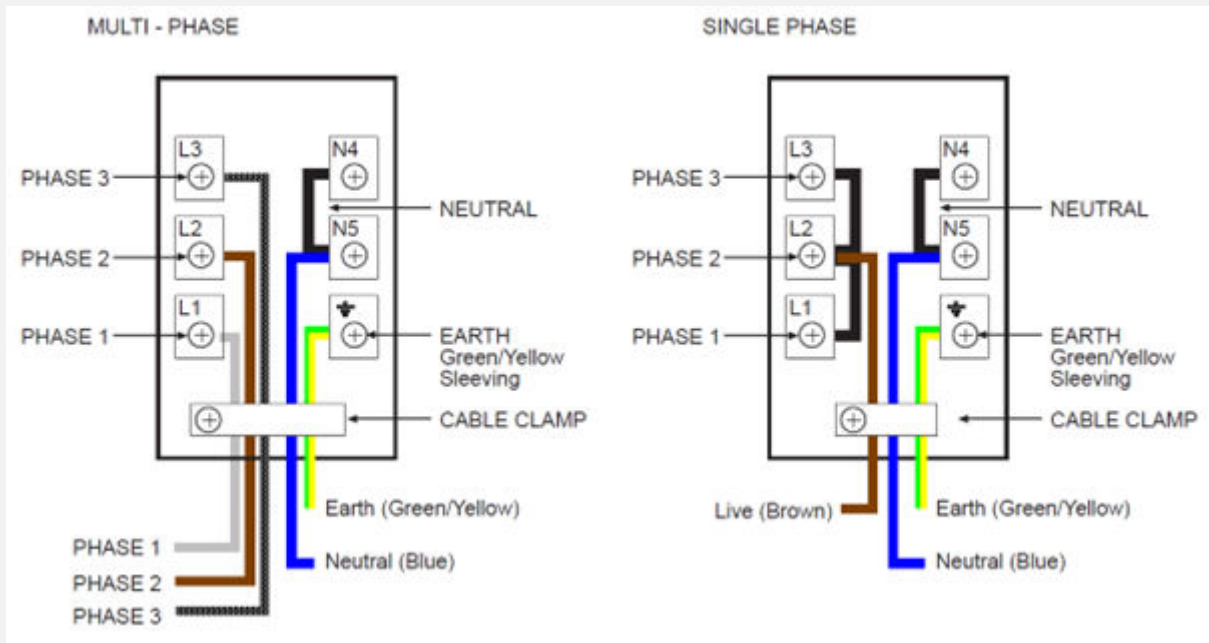
The appliance must be fitted to a switch providing all pole disconnection with a minimum contact separation of 3mm.



## **NOTE**

The terminal block screws and clamps can be damaged by excessive tightening and untightening.

DO NOT USE POWER TOOLS!



1. Access to the mains terminal is gained by removing the terminal block cover at the rear of the appliance (if fitted).
2. Connection should be made with a suitable flexible cable.
3. First strip the wires then push the cable through the cable clamp.
4. Connect the cable to the terminal block and tighten the cable clamp screws (see diagram).
5. Refit the terminal box cover (if fitted).
6. Sufficient cable should be used to allow the cooker to be pulled out but must hang clear of the floor so it does not become twisted or trapped when the cooker is pushed back.
7. Please ensure that the user has a copy of the Quick Start Guide and the appliance is in place.
8. The appliance will be fitted with the terminal block shown above; for multi-phase appliances please

9. Close the terminal box, ensuring that the cover is engaged on the locking tabs.

# COMMISSIONING

## CHECK OPERATION OF ELECTRICAL COMPONENTS

### Clock Programmer/ Minute Minder

- Check functions as described in the Quick Start Guide.

### Oven Light & Convection Fan

- Open the main oven door. Turn the main oven control knob to the defrost setting. Check the oven light and convection fan both come on. Turn control knob back to 'OFF' position.

### LID SAFETY SYSTEM (if fitted)

Turn on all the hob elements. Attempt to close the lid and make sure all elements are switched off by the safety system.

If you are satisfied that the cooker is operating correctly, turn it off and show the customer how to use it. Make sure you ask the customer to operate the clock (if fitted) and controls.

Explain to the user that the lid safety system must not be used as a mean of turning off the hotplate elements. Control knobs must always be turned to the 'OFF' position after use.



### NOTE

If the cooker does not perform correctly, inform the customer of the problem and put a warning notice on the cooker. If the problem is dangerous, then disconnect the cooker. If there is a fault then the customer should be advised to contact the manufacturer's local service organisation or the retailer.

Before leaving the installation hand over the Quick Start Guide to the customer.

# TECHNICAL DATA



## WARNING

This cooker must be earthed.

<b>Data badge</b>	<b>Lower part of the front frame</b>
<b>Appliance class</b>	<b>Class 1 - freestanding cooker</b>
<b>Electrical supply</b>	<b>230 - 400V ~3N ~ 50 Hz</b>
<b>Load</b>	<b>12905 W (Induction Unit 7200W)</b>
<b>Standard Oven Light</b>	<b>25W</b>

<b>Hob Top Hotplate</b>	<b>Electrical Supply</b>	<b>Zone Load (W)</b>
<b>Induction</b>	<b>230V</b>	<b>Left hand front 1800W (2100W Boost)</b>
		<b>Left hand rear 1800W (2100W Boost)</b>
		<b>Right hand front 1800W (2100W Boost)</b>
		<b>Right hand rear 1800W (2100W Boost)</b>

<b>Appliance Electrical Supply</b>	<b>Oven Cavity &amp; Function Load (W)</b>
<b>230V</b>	<b>Main Oven: Fanned-Air Fry 3166W</b>
	<b>Top Cavity: Dual Grill 2504W</b>

# ENERGY DATA TABLE

Regulation (EU) 65/2014:

Product Name: Belling Farmhouse 60cm EI	
Brand:	Belling
Size:	60cm
Number of cavities	2

## Energy Efficiency

Hob			
Fuel Type	Induction		
Number of cook zones	4 Electric Zones		
	Symbol	Value	
Energy Efficiency per cook zone		Cook zone	
	Electric Zone	Zone 1: 18cm/180 188Wh/kg	
		Zone 2: 18cm/210 195.1Wh/kg	
		Zone 3: 18cm/150 199Wh/kg	
		Zone 4: 18cm/180 190.7Wh/kg	
	EE Electric Hob	All Induction Cook Zones 193.2Wh/kg	

## Energy Efficiency

<b>Cavity</b>	<b>Cavity 1</b>	<b>Cavity 2</b>	<b>Cavity 3 (if applicable)</b>
<b>Energy efficiency index</b>	<b>91,3</b>	<b>94,0</b>	
<b>Energy efficiency class</b>	<b>A</b>	<b>A</b>	
<b>Energy Consumption per cycle (conventional mode)</b>	<b>0,63 kWh</b>	<b>0,88 kWh</b>	
<b>Energy Consumption per cycle (fan-forced convection mode)</b>	<b>N/A</b>	<b>0,79 kWh</b>	
<b>Heat Source</b>	<b>Electric</b>	<b>Electric</b>	
<b>Volume</b>	<b>33 Litres</b>	<b>70 Litres</b>	
<b><i>Energy consumption measured in accordance with BS EN 60350-1</i></b>			

# ENERGY DATA TABLE

Regulation (EU) 65/2014:

Product Name: Stoves Richmond 60cm Ei	
Brand:	Stoves
Size:	60cm
Number of cavities	2

## Energy Efficiency

Hob		
Fuel Type	Induction	
Number of cook zones	4 Electric Zones	
	Symbol	Value
Energy Efficiency per cook zone		Cook zone
	Electric Zone	Zone 1: 210*386/ 180 193.3Wh/kg
		Zone 2: 210* 386/ 150 192.2Wh/kg
		Zone 3: 210*386/ 210 194.1Wh/kg
		Zone 4: 210*386/ 150 192.2Wh/kg
EE Electric Hob	All Induction Cook Zones 193.2Wh/kg	



## Energy Efficiency

<b>Cavity</b>	<b>Cavity 1</b>	<b>Cavity 2</b>	<b>Cavity 3 (if applicable)</b>
<b>Energy efficiency index</b>	<b>91,3</b>	<b>94,0</b>	
<b>Energy efficiency class</b>	<b>A</b>	<b>A</b>	
<b>Energy Consumption per cycle (conventional mode)</b>	<b>0,63 kWh</b>	<b>0,88 kWh</b>	
<b>Energy Consumption per cycle (fan-forced convection mode)</b>	<b>N/A</b>	<b>0,79 kWh</b>	
<b>Heat Source</b>	<b>Electric</b>	<b>Electric</b>	
<b>Volume</b>	<b>33 Litres</b>	<b>70 Litres</b>	
<b><i>Energy consumption measured in accordance with BS EN 60350-1</i></b>			

**This page is intentionally left blank.**

**This page is intentionally left blank.**

**This page is intentionally left blank.**

**Glen Dimplex Home Appliances, Element, Temple Court, Risley,  
Warrington, WA3 6GD.**

**Belling: 0344 815 3746 Stoves: 0344 815 3740**

**[www.belling.co.uk](http://www.belling.co.uk) [www.stoves.co.uk](http://www.stoves.co.uk)**

**GDHA Part Number: 094124901**