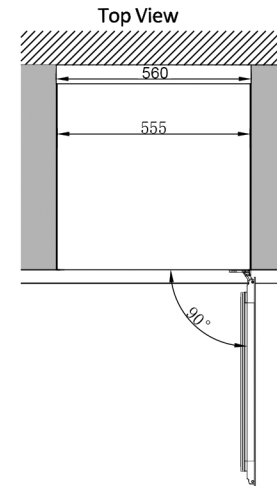
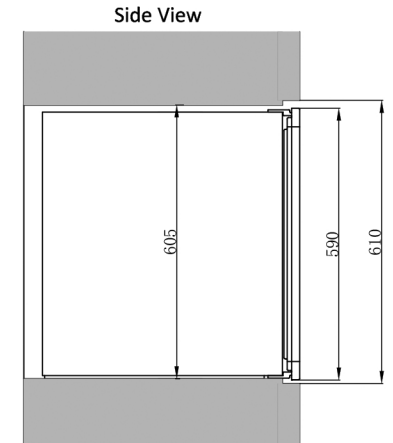
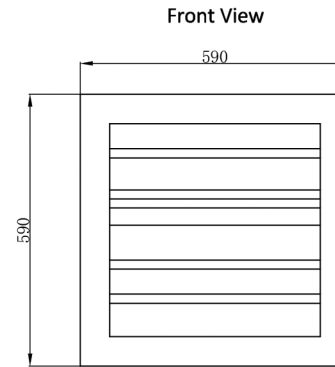
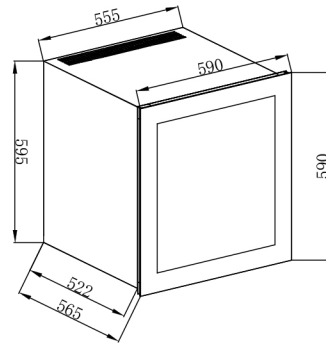
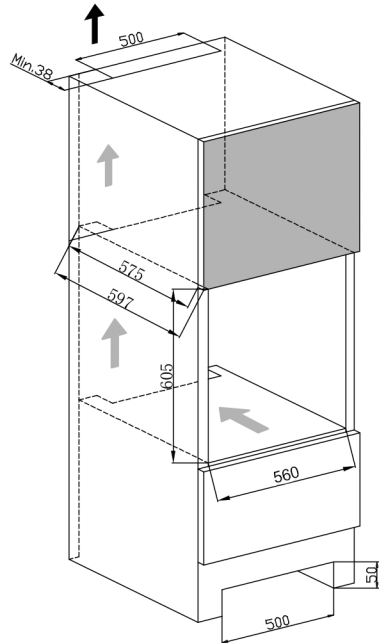


DUNAVOX BALANCE-26.TO

DXB-26.69DB.TO

DUNAVOX JOY-26

DXJ-26.69DB



Front and rear plinth ventilation is needed.

